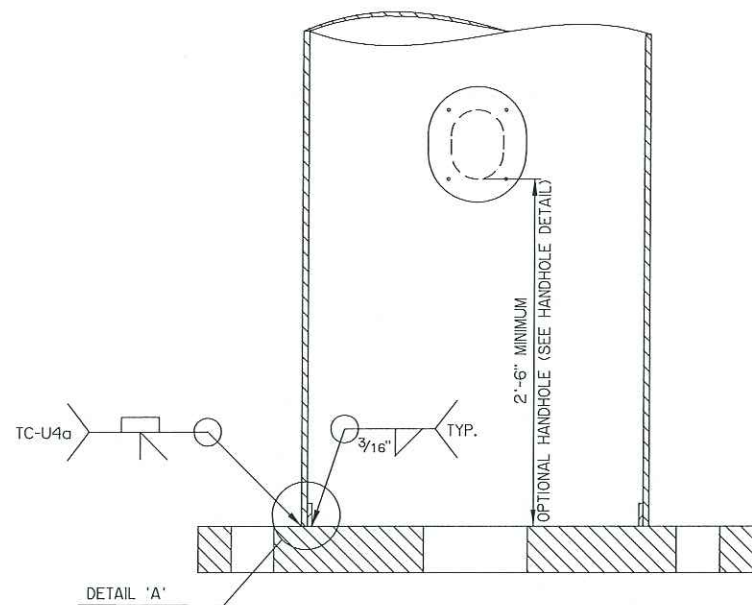
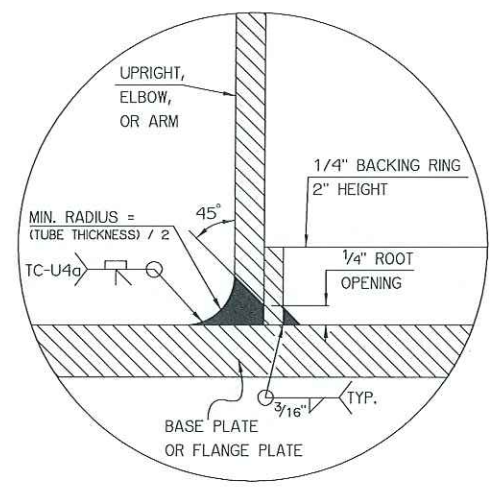


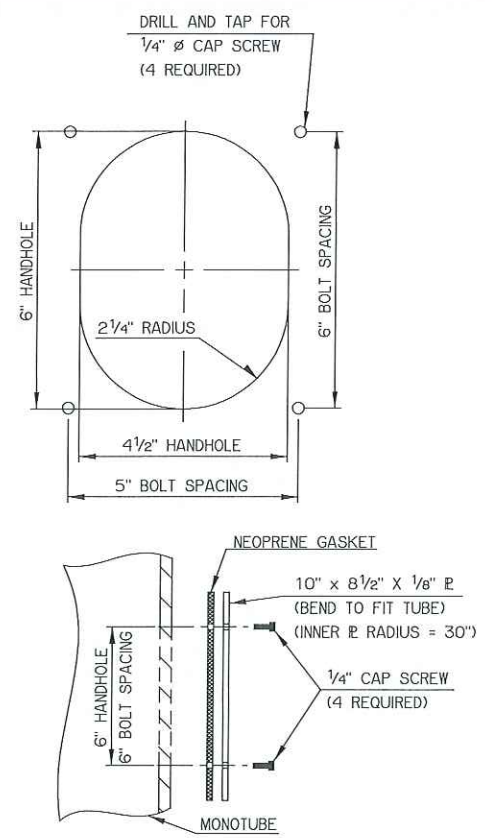
REV. NO.	DESCRIPTION	REVISIONS	DATE



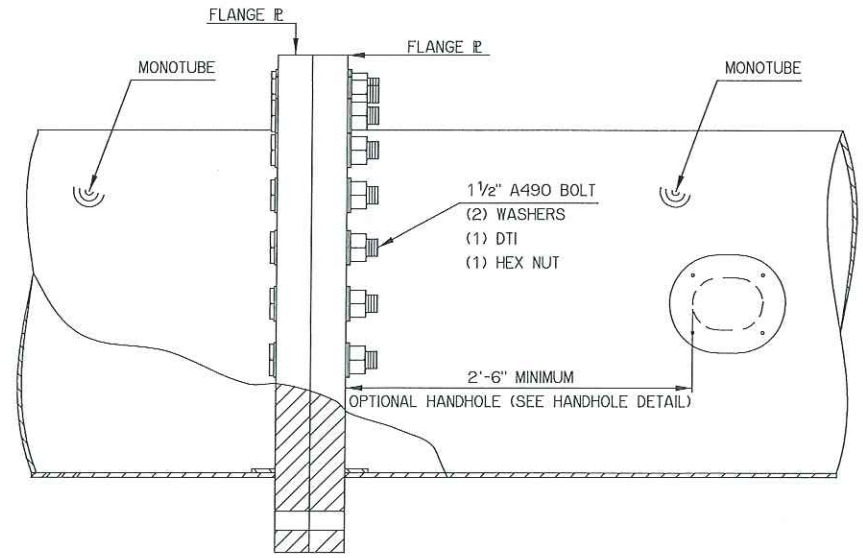
**TUBE-TO-TRANSVERSE-PLATE DETAIL (TYPICAL)**  
(DETAIL TYPICAL FOR BASE AND FLANGE PLATES)



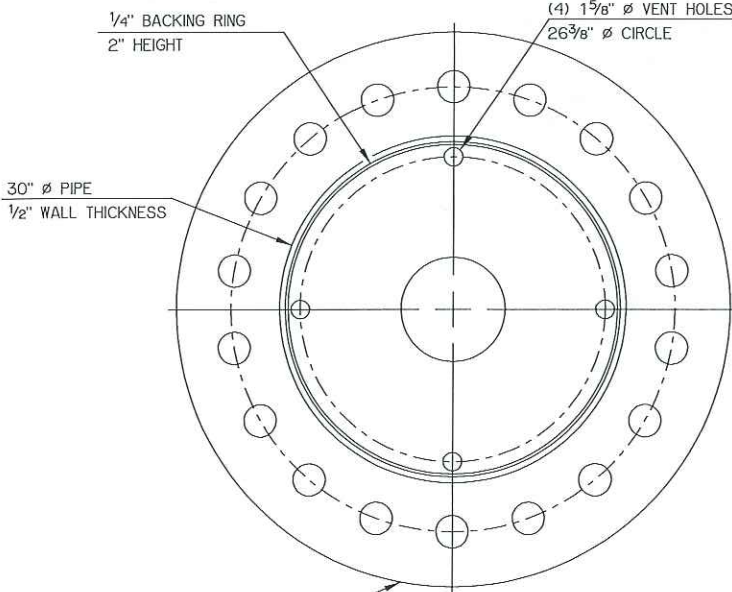
**DETAIL 'A'**



**HANDHOLE DETAIL**  
(OPTIONAL)

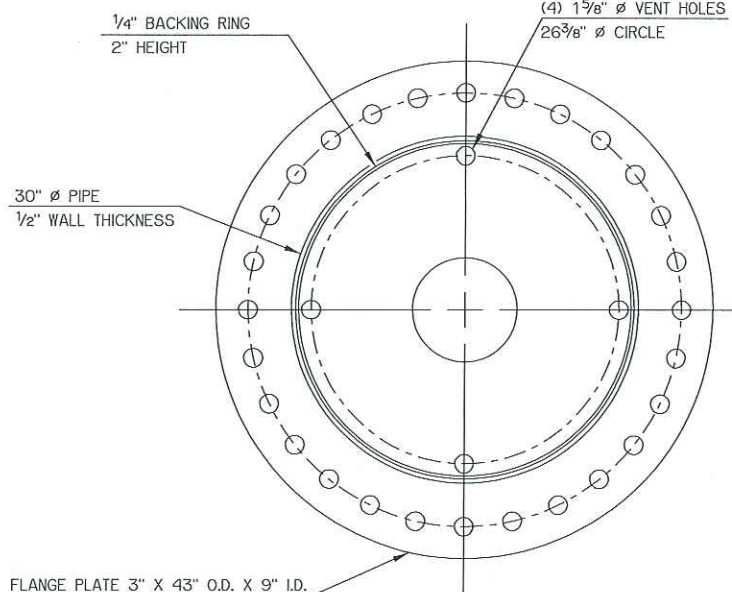


**TYPICAL FLANGE CONNECTION DETAIL**  
NOTE: OPTIONAL HANDHOLES FOR TYPE 'C' STRUCTURES SHOULD BE POSITIONED ON THE DOWN TRAFFIC FACE OF THE TUBE.



BASE PLATE 4" X 48" O.D. X 9" I.D.  
(18) 2<sup>13</sup>/<sub>16</sub>" Ø BOLT HOLES  
BOLT CIRCLE 38<sup>1</sup>/<sub>2</sub>" Ø  
2<sup>1</sup>/<sub>2</sub>" F1554 GR.55 ANCHOR BOLTS

**BASE PLATE**



FLANGE PLATE 3" X 43" O.D. X 9" I.D.  
(28) 1<sup>5</sup>/<sub>8</sub>" Ø BOLT HOLES  
BOLT CIRCLE 37<sup>1</sup>/<sub>2</sub>" Ø  
1<sup>1</sup>/<sub>2</sub>" A490 BOLTS

**FLANGE PLATE**

<b>MONOTUBE STRUCTURE (TYPE 'C' DETAILS)</b>		Design	JG	JW
		Detail	JG	JW
Check	JG	JW		
Squad Eng.	SUPERVISOR	ENGINEER		
<b>STATE OF OKLAHOMA</b>		DEPARTMENT OF TRANSPORTATION		JOB PIECE NO. 32625(04)
			SHEET NO. M3	